

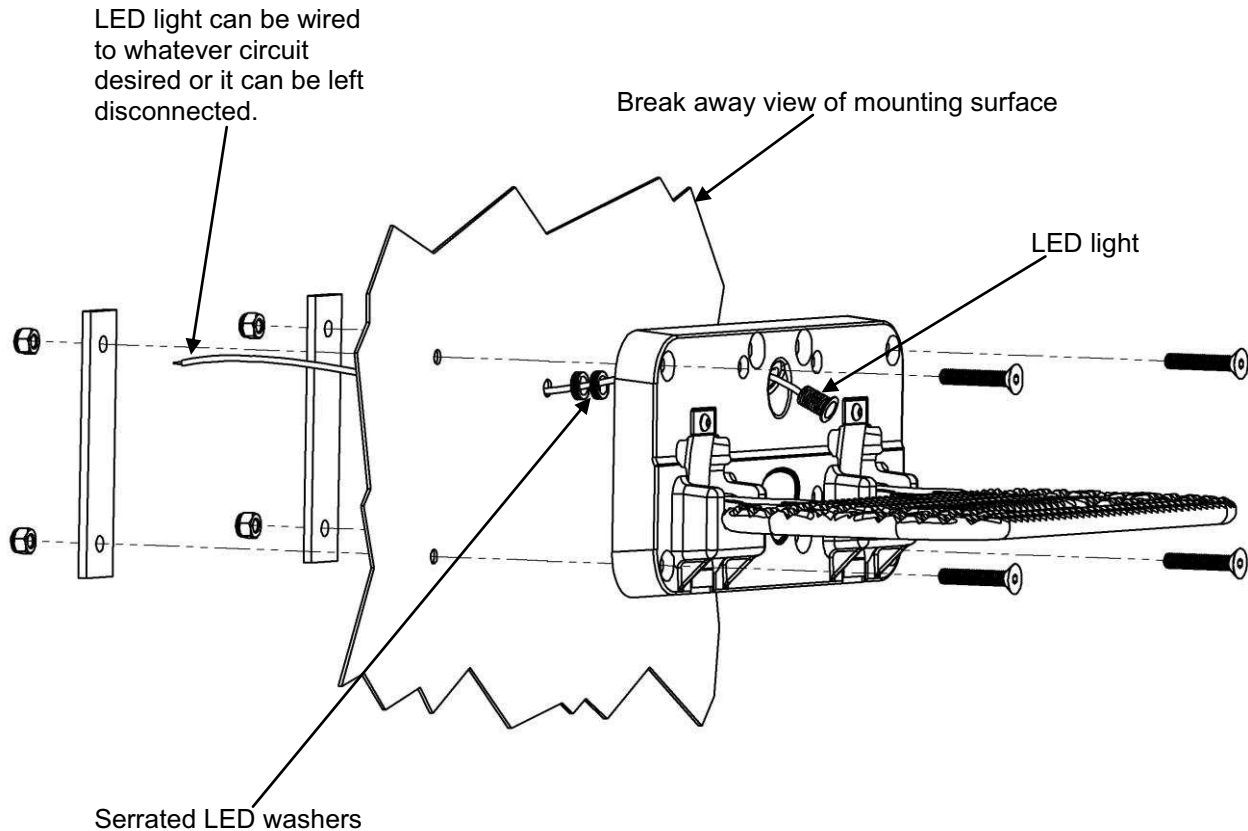
CARR HD MEGA STEP FLAT MOUNT INSTALLATION INSTRUCTIONS

Part No. 193001

WARNINGS!

- The manufacturer and distributor of this product are in no way responsible for the consumer's failure to adhere to the warnings and directions of these instructions in the event of damage to the consumer's vehicle, other properties and or personal injury.

1. Find a flat surface to mount your step.
2. Insert the LED light wire all the way through the hole in the casting. (See diagram)
3. Place the two serrated LED washers over the LED wire and tighten one washer at a time to securely hold the LED light in place.
4. Place the step up against the flat surface.
5. Use the four holes in each corner as a guide and mark the holes with a pencil.
6. Measure for the hole that the wire will go through.
7. Take your drill motor with the 11/32" drill bit and drill out all five holes.
8. Use the 5/16" hardware provided, along with the steel straps, securely tighten your step to the mounting surface. (See Diagram)
9. To keep the step moving up and down easily, be sure to grease the area where the stainless steel springs comes in contact with the step casting.



Carr Pattern Co., Inc. Warranty Policy

Finishes: Limited Lifetime
Structural Warranty: Limited Lifetime

Warranty Conditions:

- a. All warranties start from consumer's date of purchase.
- b. A new product will be sent out immediately to replace a warranty claim.
- c. The above guidelines apply only to the Original Purchaser.
- d. Original proof of purchase must be submitted for all warranty and returns issues.

Warranty Limitations:

- a. Warranty coverage extends ONLY to repair or replacement of the CARR product. This warranty does not cover the cost of labor, transportation, installation or removal of the product.
- b. Warranty coverage does not extend to damage caused by: collision, fire, theft, freezing, vandalism, riot, explosion or object striking the product, or misuse of the product and/or the vehicle on which the product is being installed.
- c. Warranty coverage does not extend to damage caused by: airborne fallout (chemicals, tree sap, etc.), stones, hail, earthquake, water or flood, windstorm, lightning, the application of chemicals or sealants subsequent to manufacture.
- d. Warranty coverage does not extend to damages caused by: normal wear and tear, abuse, modification or improper installation of the product.
- e. Warranty coverage does not extend to any economic loss or extra expense including (without limitation), payment for the loss of time or pay, inconvenience, storage, loss of vehicle use, vehicle rental expense, equipment rental expense, lodging, meals, or other travel costs.

Other Terms:

This warranty gives you specific legal rights and you may also have other rights that vary from state to state. CARR does not authorize any person to create for it any other obligation or liability in connection with its products. ANY IMPLIED WARRANTY OF MERCHANTABILITY OR FITNESS FOR A PARTICULAR PURPOSE APPLICABLE TO THIS PRODUCT IS LIMITED IN DURATION TO THE DURATION OF THIS WRITTEN WARRANTY. PERFORMANCE OF REPAIRS AND NEEDED ADJUSTMENTS IS THE EXCLUSIVE REMEDY UNDER THIS WRITTEN WARRANTY OR ANY IMPLIED WARRANTY. CARR SHALL NOT BE LIABLE FOR INCIDENTAL OR CONSEQUENTIAL DAMAGES RESULTING FROM BREACH OF THIS WRITTEN WARRANTY.*

*Some states do not allow limitations on how long an implied warranty will last or the exclusion or limitation of incidental or consequential damages, so that above limitations or exclusions may not apply to you.

Guarantee: Every attempt has been made to manufacture and distribute the finest quality products available. Our manufactured products are guaranteed to be free of defects due to workmanship or materials. Distributed products are subject to manufacturer's warranty only.

CARR • 27447 Bostick Court • Temecula CA 92590



Quality and Style that Endures

Should you encounter an unusual, unforeseen problem, contact our Technical Help Line
7:00 AM – 3:00 PM Pacific Time
(800) 800-1084
Visit our web-site at
www.CARR.com
Carr Pattern Co., Inc.

Materials Furnished:

HD Mega Hitch Step, LED light with washers, Hardware, Instructions

Tools Needed:

Pencil, drill motor, 11/32 drill bit, 1/2" wrench, 3/16" Allen wrench