

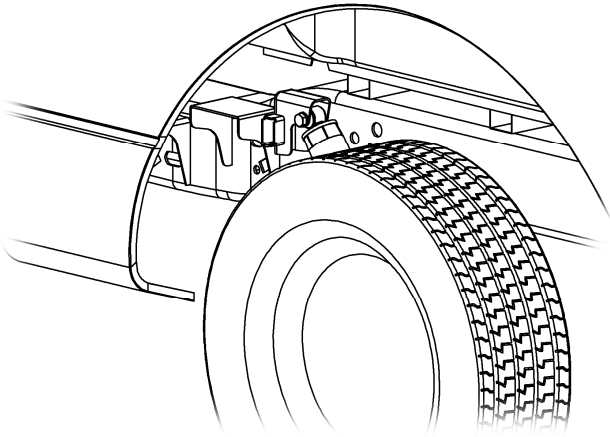


# Tool Box Flip Step 10 Mounting Instructions

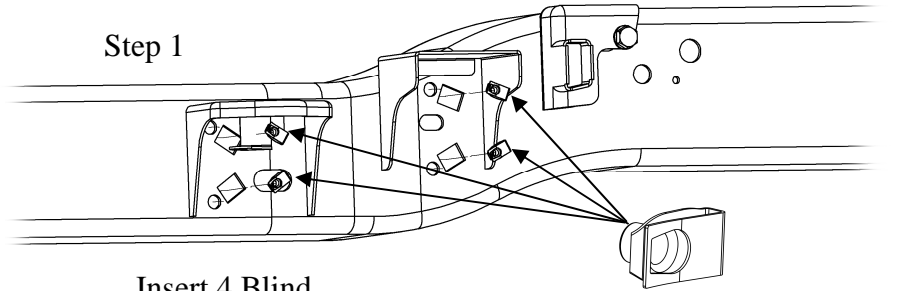


Part No's: 173011, 173012, 173014, 174011, 174012, 174014  
Driver side shown in these instructions. Reverse for passenger side

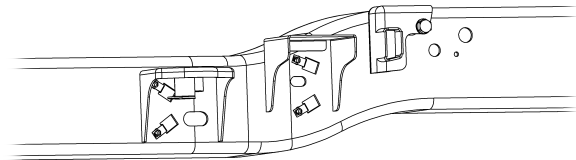
Driver side rear wheel



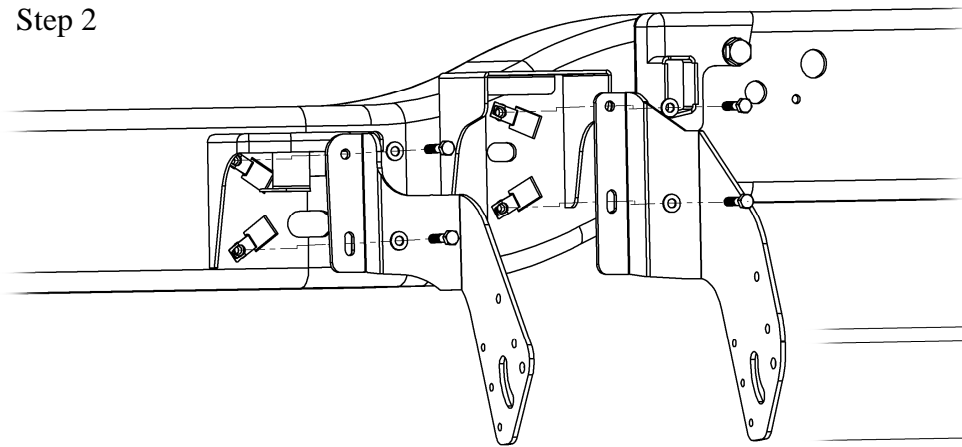
Step 1



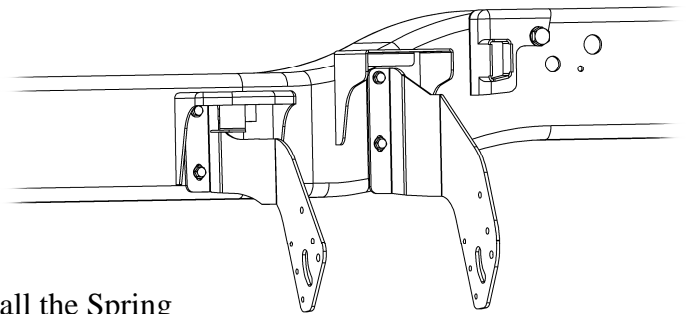
Insert 4 Blind Fasteners as indicated into the 4 slots that are in the vehicle frame.



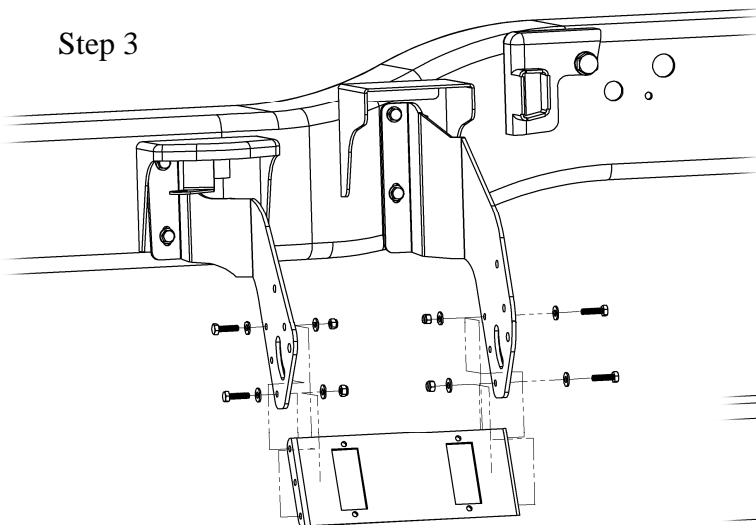
Step 2



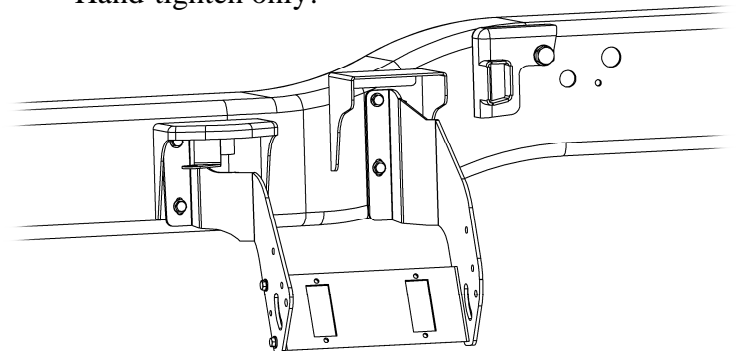
Install the Main Brackets using the 4 - 5/16 X 18 X 1.5" long hex bolts with washers. Hand-tighten only!



Step 3



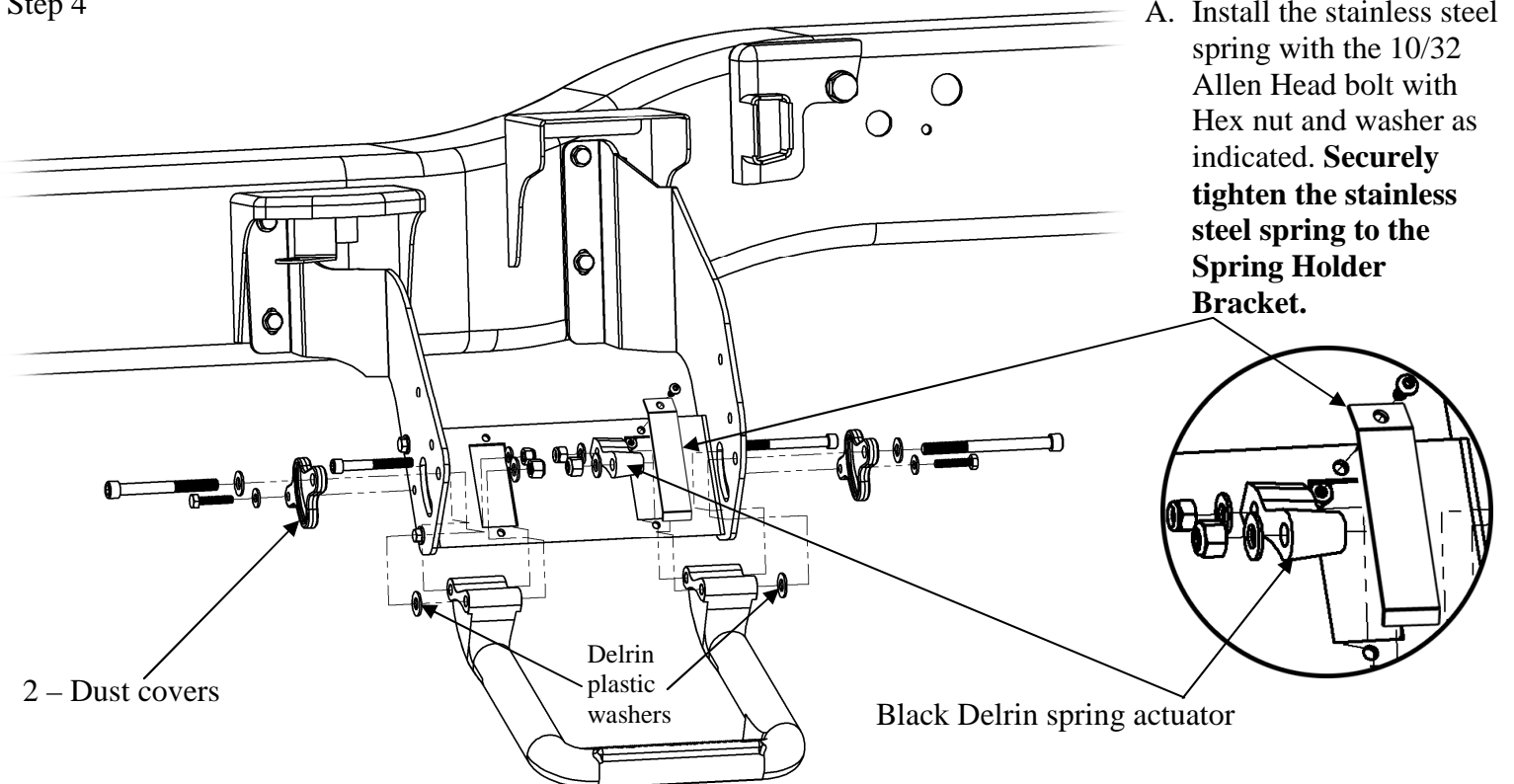
Install the Spring Holder Bracket using the 4 - 1/4 X 20 X 1" long hex bolts with washers and nylon hex nuts. The center holes should be left open. Hand-tighten only!



## Tool Box Flip Step 10 Mounting Instructions

Part No's: 173011, 173012, 173014, 174011, 174012, 174014  
Driver side shown in these instructions. Reverse for passenger side

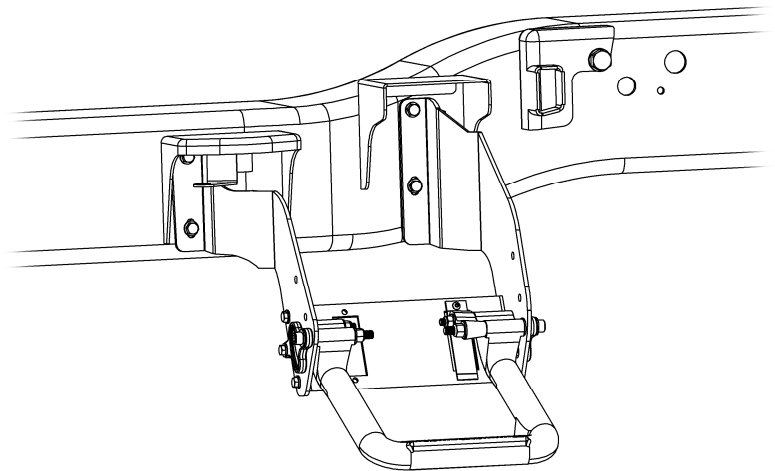
### Step 4



B. Next slide the step into place. Take the two 3/8" socket bolts with the 3/8" washers and place them through the two plastic dust covers, through the Main Brackets, through the 3/8" Delrin plastic washers, through the step casting, (for the right side go through the black Delrin spring actuator, using the longer 3/8" socket bolt and make sure the Delrin spring actuator is in the same position as shown in the diagrams), through the steel 3/8" washers and through the 3/8" nylon hex nuts. Hand-tighten.

C. Take the 5/16 X 2.5" socket head bolt for the left side and the 5/16 X 3.5" socket head bolt for the right side, with the dust covers moved out of the way, insert these bolts through the curved slots in the Main Brackets, through the Step Casting, for the right side through the other Delrin spring actuator, through the steel washers and through the nylon hex nuts. **Securely tighten these two bolts.**

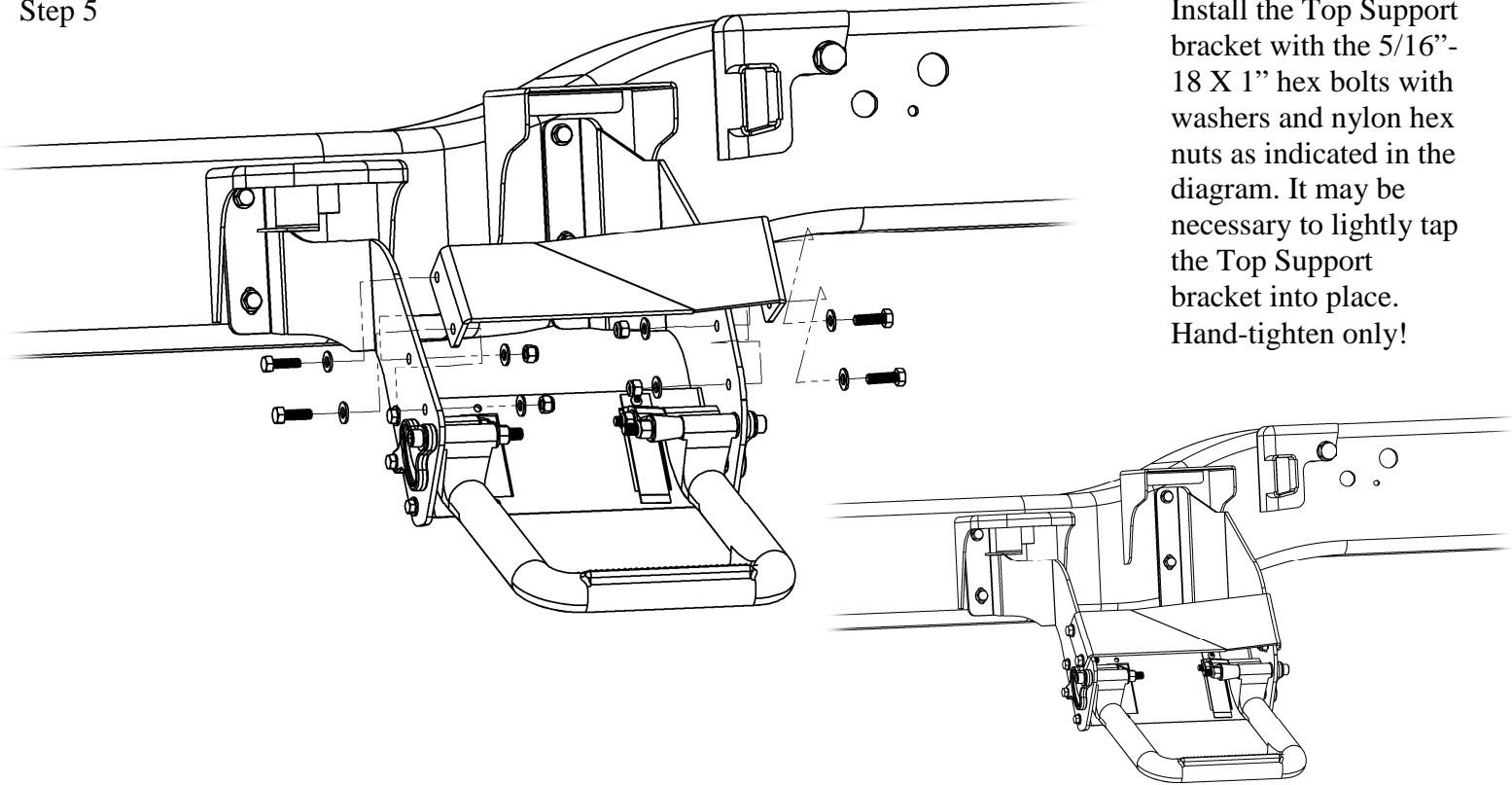
D. Take the 2 - 1/4-20 X 1.25" long nex bolts, with 1/4" washers and place them through the holes of the two Dust covers, through the Main Brackets, through 1/4" washers and then through 1/4" nylon lock nuts. Only hand-tighten these bolts.



## Tool Box Flip Step 10 Mounting Instructions

Part No's: 173011, 173012, 173014, 174011, 174012, 174014  
Driver side shown in these instructions. Reverse for passenger side

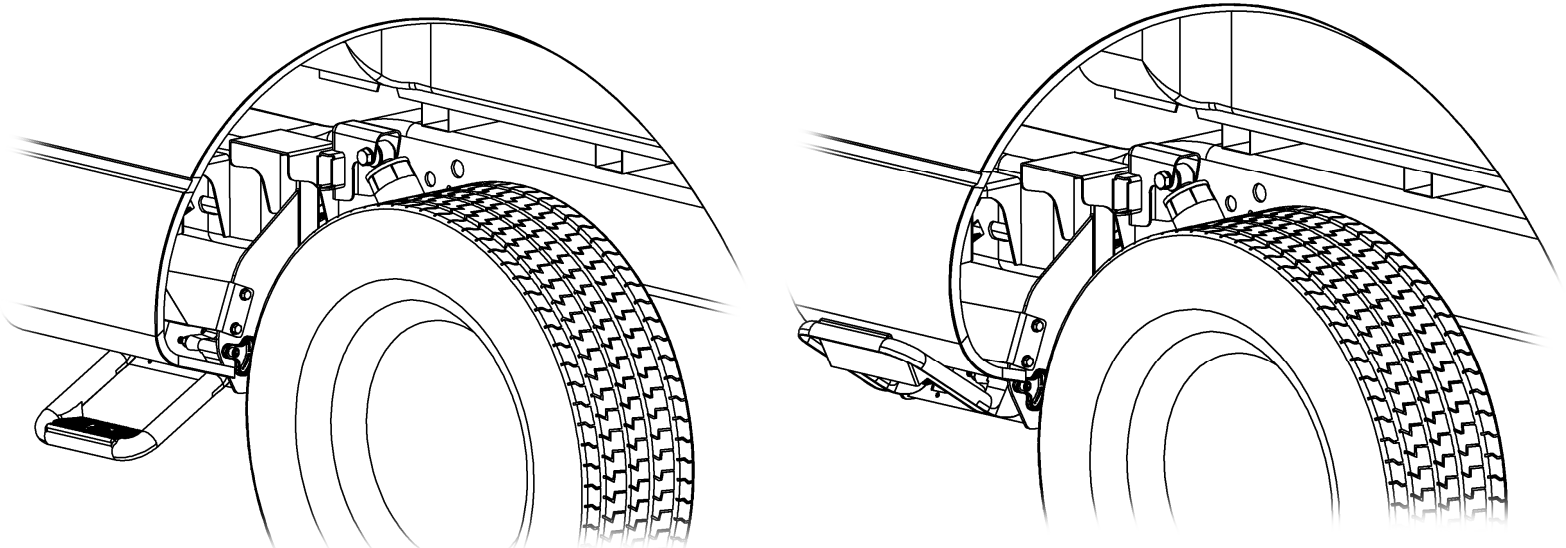
### Step 5



Install the Top Support bracket with the 5/16"-18 X 1" hex bolts with washers and nylon hex nuts as indicated in the diagram. It may be necessary to lightly tap the Top Support bracket into place. Hand-tighten only!

Follow the next steps to securely tighten all components. **Please be sure to follow these steps.**

1. Securely tighten the six 1/4"-20 hex bolts that are holding the Spring Holder bracket.
2. Next, tighten the two 3/8"-16 socket head bolts that are through the Main Brackets and the step casting. **DO NOT TIGHTEN ALL THE WAY. YOU WILL NEED SOME PLAY TO ALLOW THE STEP TO SWIVEL PROPERLY.**
3. Securely tighten all four 5/16"-18 hex bolts that are holding the Top Support bracket.
4. Finally, securely tighten the four 5/16"-18 X 1.5" hex bolts that are holding the Main Brackets to the vehicle's frame using the 1/2" socket end wrench with the 2" extension.
5. With your foot you should be able to flip the step up and down. You can tighten or loosen this action by adjusting the bolts in step 2 above.
6. Now your step is ready for use!
7. Repeat all of these steps for the passenger side.



# Tool Box Flip Step 10 Mounting Instructions

Part No's: 173011, 173012, 173014, 174011, 174012, 174014  
Driver side shown in these instructions. Reverse for passenger side



## Quality and Style that Endures

Follow the diagram and the written directions carefully for a proper, safe installation.

Should you encounter an unusual, unforeseen problem, contact our Technical Help Line  
7:00 AM – 3:00 PM Pacific Time  
(951) 719-1068  
Visit our web-site at [www.CARR.com](http://www.CARR.com)  
Carr Pattern Co., Inc.

### Vehicle Application:

#### **FORD**

'10-'14 F150 All Cabs, short beds only

Will not fit vehicles with a cab vibration dampener

#### **MATERIAL NEEDED:**

1 – 9/16" wrench, 1 – 1/2" socket end wrench with 2" extension, 1 – 1/2" wrench, 1 – 7/16" socket end wrench, 1 – 7/16" wrench, 1 – 3/18" socket end wrench, 5/16" Allen wrench, 3/16" Allen wrench, 1/8" Allen wrench.

#### **MATERIAL FURNISHED:**

One step casting, two Main Brackets, one Spring Holder bracket, one Top Support bracket, one hardware pack and instructions.

## WARNINGS!

- ✓ Do not over tighten the nuts and bolts or damage to the castings and or stripping of the threads could result.
- ✓ FOR SAFE AND PROPER USAGE OF THIS PRODUCT, THE MOUNTING INSTRUCTIONS MUST BE FOLLOWED CAREFULLY AND COMPLETELY.
- ✓ The manufacturer and distributor of this product are in no way responsible for the consumer's failure to adhere to the warnings and directions of these instructions in the event of damage to the consumer's vehicle, other properties and or personal injury.

### Carr Pattern Co., Inc. Warranty Policy

**Finishes:** Limited Lifetime

**Structural Warranty:** Limited Lifetime

#### **Warranty Conditions:**

- a. All warranties start from consumer's date of purchase.
- b. A new product will be sent out immediately to replace a warranty claim.
- c. The above guidelines apply only to the Original Purchaser.
- d. Original proof of purchase must be submitted for all warranty and returns issues.

#### **Warranty Limitations:**

- a. Warranty coverage extends ONLY to repair or replacement of the CARR product. This warranty does not cover the cost of labor, transportation, installation or removal of the product.
- b. Warranty coverage does not extend to damage caused by: collision, fire, theft, freezing, vandalism, riot, explosion or object striking the product, or misuse of the product and/or the vehicle on which the product is being installed.
- c. Warranty coverage does not extend to damage caused by: airborne fallout (chemicals, tree sap, etc.), stones, hail, earthquake, water or flood, windstorm, lightning, the application of chemicals or sealants subsequent to manufacture.
- d. Warranty coverage does not extend to damages caused by: normal wear and tear, abuse, modification or improper installation of the product.
- e. Warranty coverage does not extend to any economic loss or extra expense including (without limitation), payment for the loss of time or pay, inconvenience, storage, loss of vehicle use, vehicle rental expense, equipment rental expense, lodging, meals, or other travel costs.

#### **Other Terms:**

This warranty gives you specific legal rights and you may also have other rights that vary from state to state. CARR does not authorize any person to create for it any other obligation or liability in connection with its products. ANY IMPLIED WARRANTY OF MERCHANTABILITY OR FITNESS FOR A PARTICULAR PURPOSE APPLICABLE TO THIS PRODUCT IS LIMITED IN DURATION TO THE DURATION OF THIS WRITTEN WARRANTY. PERFORMANCE OF REPAIRS AND NEEDED ADJUSTMENTS IS THE EXCLUSIVE REMEDY UNDER THIS WRITTEN WARRANTY OR ANY IMPLIED WARRANTY. CARR SHALL NOT BE LIABLE FOR INCIDENTAL OR CONSEQUENTIAL DAMAGES RESULTING FROM BREACH OF THIS WRITTEN WARRANTY.\*

\*Some states do not allow limitations on how long an implied warranty will last or the exclusion or limitation of incidental or consequential damages, so that above limitations or exclusions may not apply to you.

**Guarantee:** Every attempt has been made to manufacture and distribute the finest quality products available. Our manufactured products are guaranteed to be free of defects due to workmanship or materials. Distributed products are subject to manufacturer's warranty only.

CARR • 27447 Bostik Court • Temecula CA 92590